

PWR33 MODEL 48VDC 30A BATTERY CHARGER CATALOGUE



POWER[®]
ELEKTRONİK
Endüstriyel Güç Sistemleri
Industrial Power Solutions

POWER SOLAR **POWER**
ENGINEERING

Güç her zaman, her yerde

Power anytime, anywhere



220 Vdc

125 Vdc

110 Vdc

48 Vdc

30 Vdc

24 Vdc



Battery Chargers are designed in accordance with international IEC/EN 60146-1-1 standards

www.powerelektronik.com.tr

DEFINITIONS AND SYSTEM INFORMATIONS

WHAT ARE INDUSTRIAL RECTIFIERS - BATTERY CHARGERS?

Rectifier Products are used in utility HV (High Voltage), MV (Medium Voltage) and LV (Low voltage) energy control and automation systems to meet the needs such as relay control, breaker control, communication, automatic control and emergency lighting in case of power cut or recovery. These are products designed to be battery supported.

HOW DOES INDUSTRIAL RECTIFIER WORK?

Industrial Rectifiers takes 1 Phase or 3 Phase AC mains energy, reduce it to the desired level with the help of Stepdown transformer, and at the same time provide the necessary energy to the thyristor circuits in the rectifier circuit by providing galvanic isolation. The DC energy coming out of the rectification unit is filtered and converted into smoother and cleaner DC energy.

With the help of the rectifier software, this DC energy charges the batteries according to float-boost-equalizing charging modes and provides the necessary continuous energy to DC loads. In case of grid power failure, it provides all of its DC energy needs from the batteries. Batteries continue to supply DC loads for a pre-calculated period of time (such as 4,6,8,12 hours) in accordance with the programmed discharge level. When the grid is restored, the discharged batteries begin to recharge.

WHERE ARE INDUSTRIAL RECTIFIERS - BATTERY CHARGERS USED?

- » In power plants (Hydro, Thermal, Wind, Geothermal, Biomass, Natural Gas, etc.)
- » HV High voltage transmission and downcomer centers
- » MV Medium voltage transformers and distribution centers
- » Metro stations energy control centers
- » In control and command centers of all kinds of pipeline stations
- » DCS, Scada automation systems

WHY ARE THERE 24, 30, 48, 110, 125, 220 VDC TYPES?

The coil control voltage of electrical equipment such as relays and breakers that industrial rectifiers will control is designed at different voltages by different manufacturers.

Generally, low voltage 24VDC rectifier is used for low power consuming DC loads.

Since it is designed as 48Vdc, 110Vdc and 220Vdc to make compact designs at lower currents for DC control equipment that draws higher power-current, the rectifier design is also installed in accordance with this DC voltage.

HOW TO SIZING RECTIFIER BATTERIES?

In industrial rectifiers, battery types can sometimes be lead acid or Nickel-Cadmium type depending on need, sometimes preference, and sometimes specifications.

While OPZV tubular plate batteries are preferred in instant high current needs, OPZS and VRLA types are preferred in systems that require a long discharge time. Ni-Cd batteries can be preferred where high performance for many years and less temperature effects are desired.

When calculating battery capacities, the required DC energy is determined by extracting the load profile (current and duration information) and using the IEEE battery calculation method.

IN WHICH CASES ARE RECTIFIERS USED AS REDUNDANT BACKUP?

Especially in facilities where power outages may lead to critical consequences, in case one of the one of rectifier fails, it is preferred to use the other rectifier-battery set in parallel with backup to continue to supply DC energy needs without interruption.

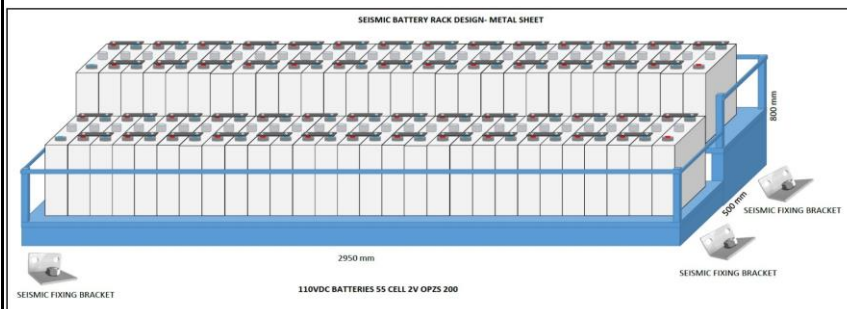
3-PH INDUSTRIAL BATTERY CHARGER PROPERTIES

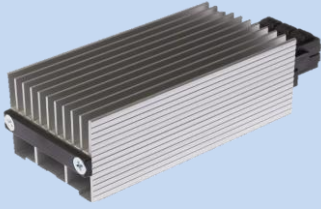
PWR33 MODEL 48VDC 30A



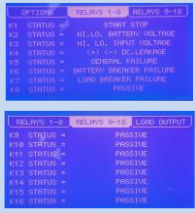
- ▶ 16-Bit DSP control
- ▶ Graphic LCD screen
- ▶ 5 control button
- ▶ 5% ripple
- ▶ Dry relay contacts for SCADA monitoring
- ▶ Over temperature protection
- ▶ Overload protection
- ▶ Programmable auto Boost Charge function
- ▶ Programmable Float Charge function
- ▶ Instantly input-output and battery voltage-current viewing
- ▶ Transformer and Thyristor based digital controlled rectifier technology
- ▶ Voltage and current full controls
- ▶ Dropper diode DC voltage regulation
- ▶ Front access
- ▶ Input voltage tolerance $\pm 15\%$ 3-ph 380/400/440 VAC
- ▶ Input Frequency 50 Hz/60 Hz $\pm 5\%$
- ▶ Input Surge and fuse protections
- ▶ Special multimeters for input/output/battery voltage-current monitoring
- ▶ Output voltage 48VDC nominal
- ▶ DC+ and DC - leakage protection
- ▶ Output short circuit protection
- ▶ Status and alarm LEDs
- ▶ Optional high IP protections
- ▶ Double safety door protection
- ▶ Mimic diagram

Supported Battery & Racks





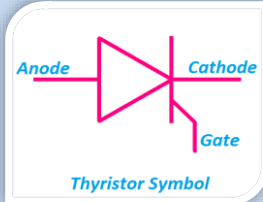
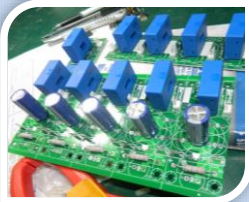
Condensing Protection by Heater



Programmable 2*8=16 Scada Dry Relay Contacts



Additional AC-DC Volt-Amp Meter



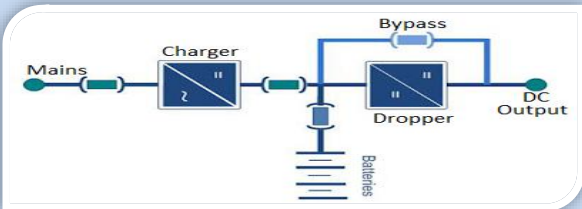
Industrial Control and Design Thanks to Transformer and Thyristors



16 Pcs Alarm and Status LED Indicator



AC & DC Surge Arresters protections



2-Stage Dropper diode function



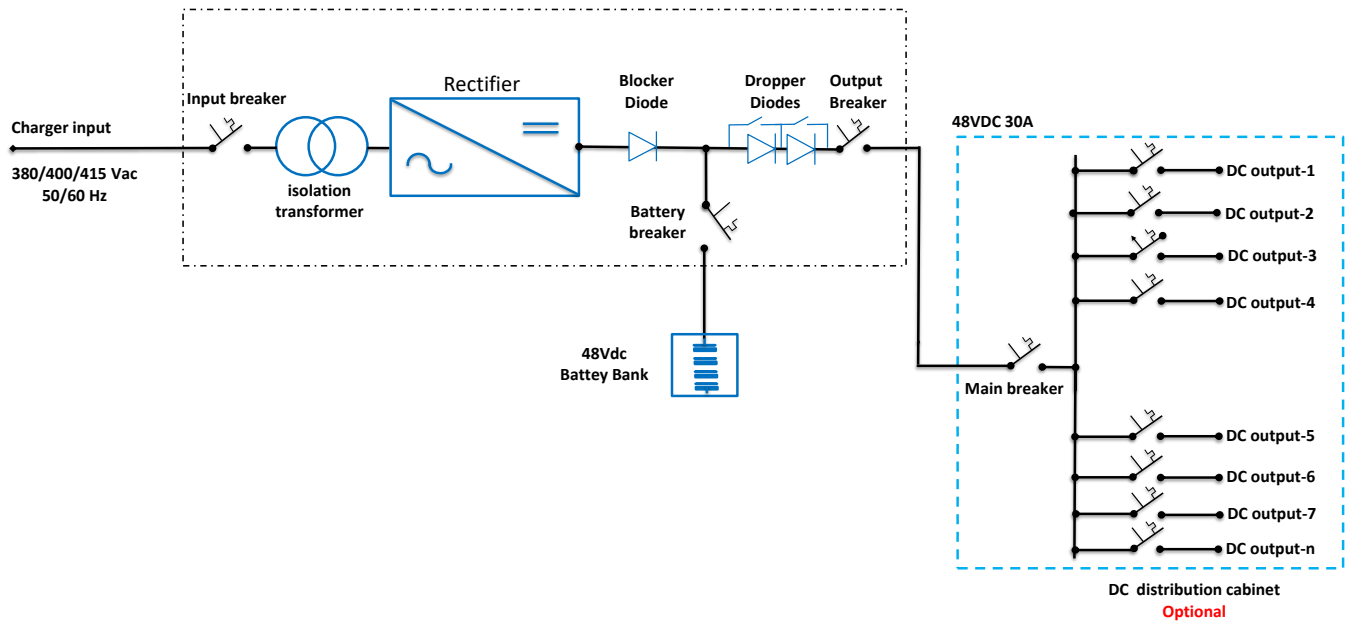
- » VRLA
- » GEL
- » OPZV
- » OPZS
- » NI-CD

Able to charge kind of battery types and battery test scheduling function

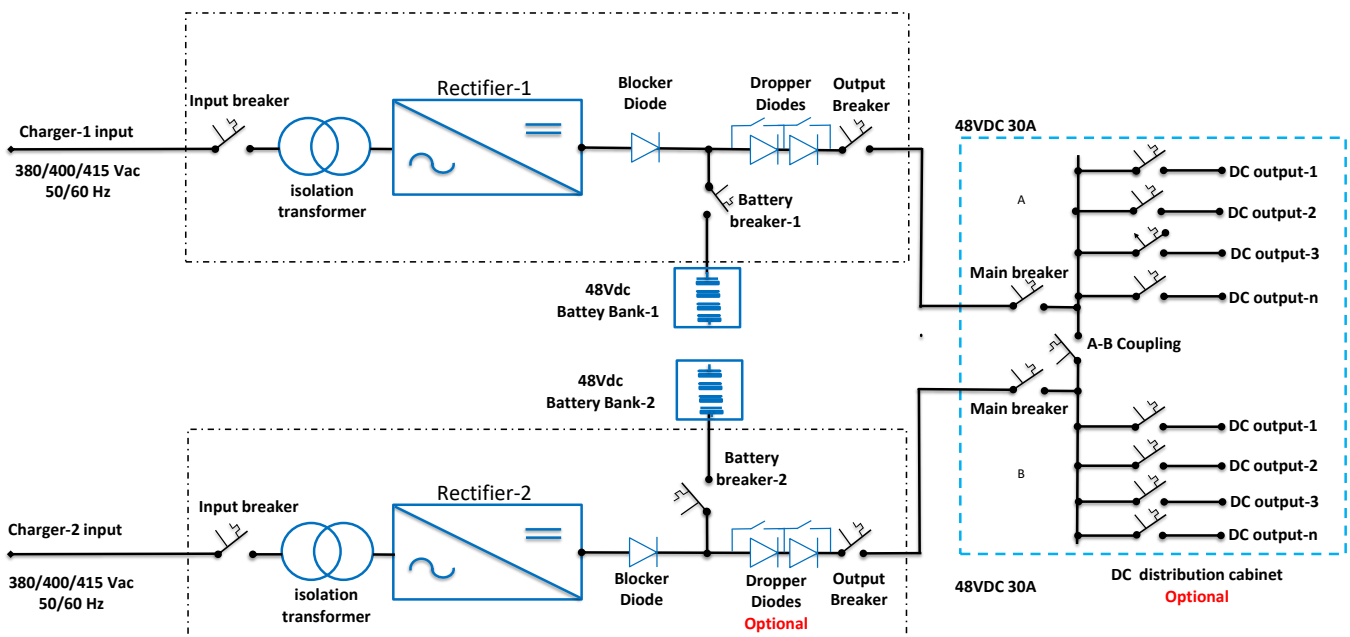
3-PH INDUSTRIAL BATTERY CHARGER SYSTEM DESIGNS

PWR33 MODEL 48VDC 30A

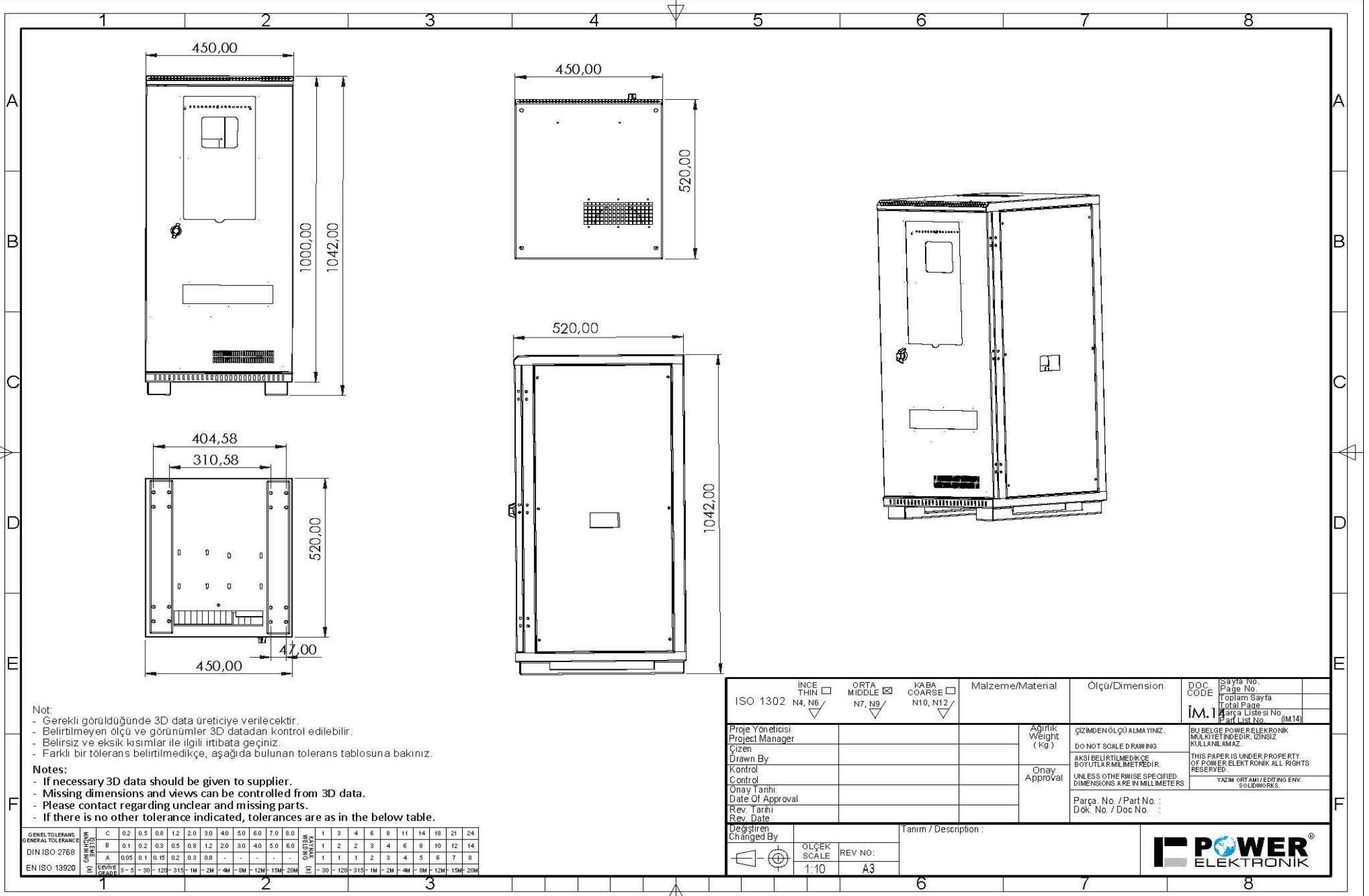
General Single Connection Line Diagram



General Redundant Connection Line Diagram



BATTERY CHARGER CABINET CUBICAL DRAWING



Not:
 - Gerekli görüldüğünde 3D data üreticiye verilecektir.
 - Belirtilmeyen ölçü ve görünüm 3D datadan kontrol edilebilir.
 - Belirsiz ve eksik kısımlar ile ilgili irtibata geçiniz.
 - Farklı bir tolerans belirtilmedikçe, aşağıda bulunan tolerans tablosuna bakınız.

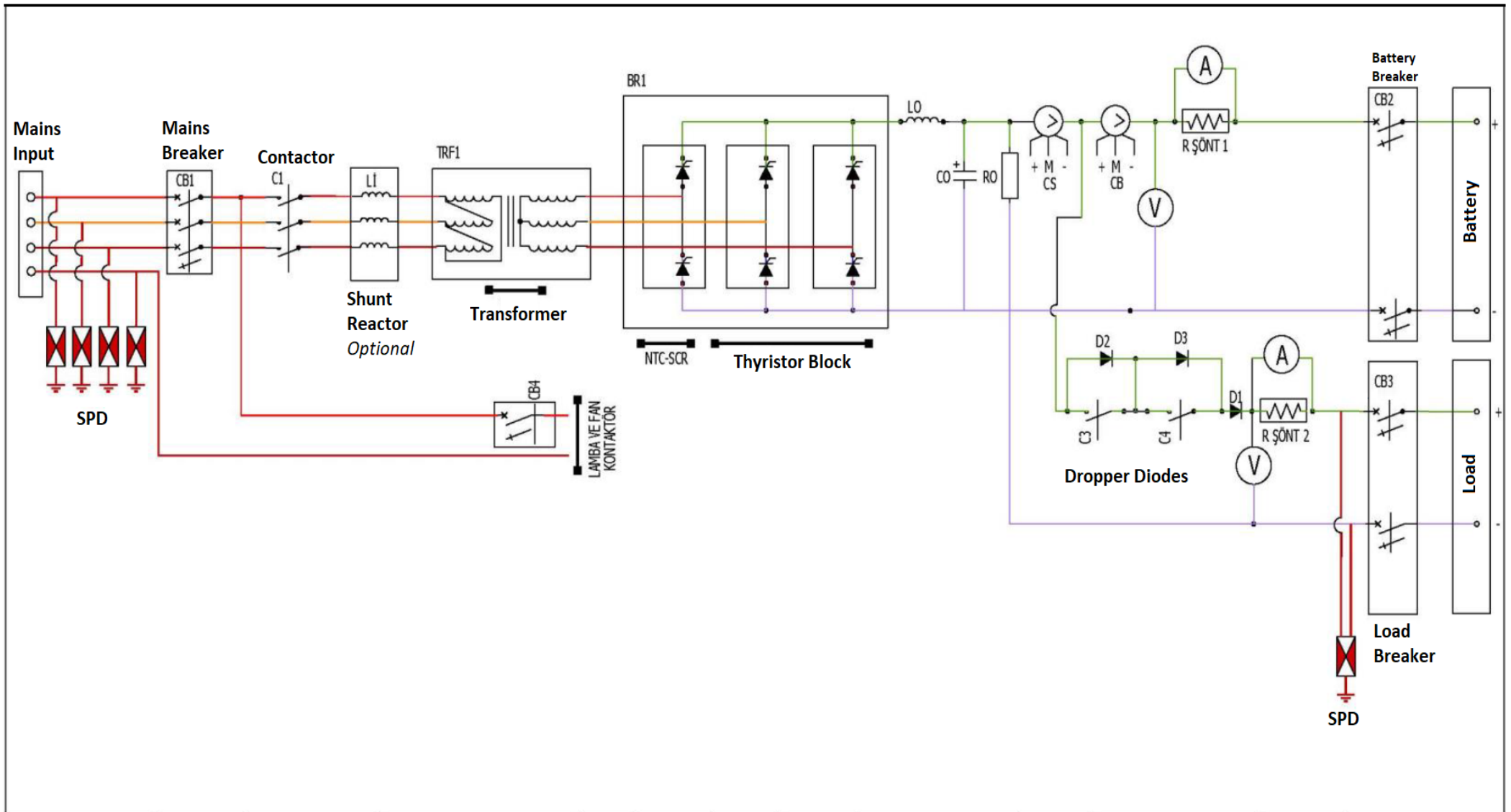
Notes:
 - If necessary 3D data should be given to supplier.
 - Missing dimensions and views can be controlled from 3D data.
 - Please contact regarding unclear and missing parts.
 - If there is no other tolerance indicated, tolerances are as in the below table.


GENEL TOLERANS GENERAL TOLERANCE	ISO 2768	C	0.2	0.5	0.8	1.2	2.0	3.0	4.0	5.0	6.0	7.0	8.0	1	3	4	6	8	11	14	18	21	24	
DIN ISO 2768	B	0.1	0.2	0.3	0.5	0.8	1.2	2.0	3.0	4.0	5.0	6.0	7.0	1	2	2	3	4	6	8	10	12	14	
EN ISO 13920	A	0.05	0.1	0.15	0.2	0.3	0.8	-	-	-	-	-	-	1	1	1	2	3	4	5	6	7	8	
	SEVİYE GRADE	0 - 5	- 30	- 120	- 315	- 1M	- 2M	- 4M	- 8M	- 12M	- 15M	- 20M		0	- 30	- 120	- 315	- 1M	- 2M	- 4M	- 8M	- 12M	- 15M	- 20M

ISO 1302	İNCE THIN <input type="checkbox"/>	ORTA MIDDLE <input checked="" type="checkbox"/>	KABA COARSE <input type="checkbox"/>	Malzeme/Material	Ölçü/Dimension	DOC. CODE	Sayfa No. Page No.
	N4, N6	N7, N9	N10, N12			İ.M.1	Toplam Sayfa Total Page
Proje Yöneticisi Project Manager				Ağırlık Weight (kg)	ÇİZİMDEN ÖLÇÜ ALMAYINIZ. DO NOT SCALE DRAWING		BU BELGE POWER ELEKTRONİK MÜLKIYETİNDİR. İZİNSİZ KULLANILMAZ.
Çizen Drawn By				Onay Approval	AKSİ BELİRTİLMEK ÜZERE BOYUTLAR MİLMİMETREDİR.		THIS PAPER IS UNDER PROPERTY OF POWER ELEKTRONİK ALL RIGHTS RESERVED
Kontrol Control					UNLESS OTHERWISE SPECIFIED DIMENSIONS ARE IN MILLIMETERS		YAZIM ORTAMI/ EDITING ENV. SOLIDWORKS
Onay Tarihi Date Of Approval							Parça No. / Part No. :
Rev. Tarihi Rev. Date							Dok. No. / Doc No. :
Değiştiren Changed By	Tanım / Description :						
	ÖLÇEK SCALE	REV NO:					
	1:10	A3					



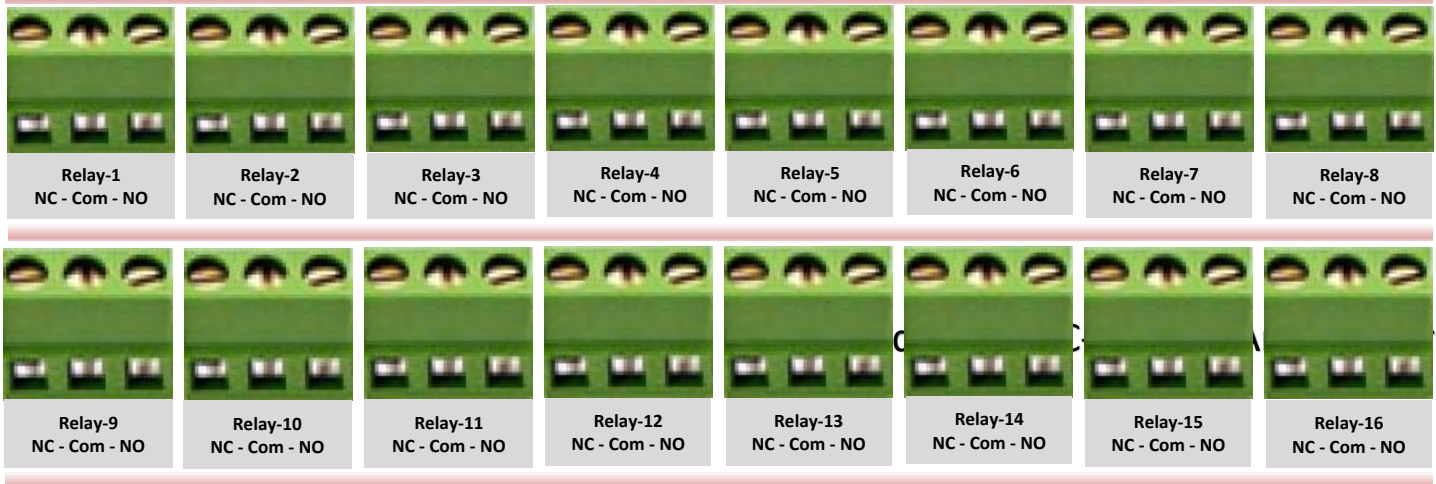
RECTIFIER ELECTRICAL SINGLE LINE DIAGRAM



	DRAWING	Ebru DOĞAN	REV DATE	-----	MODEL	PWR33	FREQ.	50 / 60 Hz	DATE	16.06.2024	PAGE	1
	CONTROL	Adem KAPUKAYA	REV NO	-----	POWER	INPUT	380 / 400 / 415 Vac	OUTPUT	220/125/110/48/24 Vdc	APPROVE	Ayhan GUVEN

BATTERY CHARGER PROGRAMMABLE SCADA DRY RELAY OUTPUTS

OPTIONE	RELAYS 1-8	RELAYS 9-16
K1 STATUS =	START STOP	
K2 STATUS =	HI, LO. BATTERY VOLTAGE	
K3 STATUS =	HI, LO. INPUT VOLTAGE	
K4 STATUS =	(+) (-) DC LEAKAGE	
K5 STATUS =	GENERAL FAILURE	
K6 STATUS =	BATTERY BREAKER FAILURE	
K7 STATUS =	LOAD BREAKER FAILURE	
K8 STATUS =	PASSIVE	
K9 STATUS =		PASSIVE
K10 STATUS =		PASSIVE
K11 STATUS =		PASSIVE
K12 STATUS =		PASSIVE
K13 STATUS =		PASSIVE
K14 STATUS =		PASSIVE
K15 STATUS =		PASSIVE
K16 STATUS =		PASSIVE



Available Dry Relay Definitions

1. START STOP:

Indicates the operating status of the Rectifier. When the start button on the front panel is pressed, the dry contact warns you.

2. OVERHEAT:

Whenever the heat reaches to the limit that defined in the menü, this dry contact gives warning.

3. INPUT CIRCUIT BREAKER IS OFF:

Whenever the input circuit breaker is off; this dry contact gives warning.

4. BATTERY CIRCUIT BREAKER IS OFF:

Whenever the batter circuit breaker is offi this dry contact gives warning.

5. LOAD CIRCUIT BREAKER IS OFF:

Whenever the load circuit breaker is off, this dry contact gives warning.

6. HIGH BATTERY VOLTAGE:

Whenever the voltage reaches to the "Vo High Limit" value, defined in the menu, this dry contact gives warning .

7. LOW BATTERY VOLTAGE:

Whenever the voltage reaches to the "Vo Low Limit" value, defined in the menu, this dry contact gives warning.

8. BATTERY VOLTAGE HIGH + LOW:

Controls both situations above in a single dry contact.

9. FAN ERROR:

Whenever the limits on the "Fan Error" menu is reached, the dry contact gives warning.

10. BATTERY LINE DISCONNECTED:

Whenever the device is "ON" and there is a disconnection on the battery cables, the dry contact gives warning.

11. REVERSE BATTERY LINE:

Indicates that the Battery connection is wrong. This warning is advised to be kept on the dry contact choices. Must be checked! Before the device is turned on.

12. BATTERY GENERAL ERROR:

Dry contact warns you whenever there is an Error about the Battery.

13. (+) DC LEAK:

(+) DC Leakage warning.

14. (-) DC LEAK:

(-) DC Leakage warning.

15. (+) /(-) DC LEAK:

(+) or (-) DC Leakage warning together.

16. MAINS ON/OFF:

Provides a dry contact information about the presence of the mains voltage.

17. MAINS HIGH:

If the mains voltage is higher than the value Vi HIGH LIMIT set on the MENU, dry contact gives warning.

18. MAINS LOW:

If the mains voltage is higher than the value Vi LOW LIMIT set on the MENU, dry contact gives warning.

19. MAINS HIGH + LOW:

In the case of the mains voltage out of the set values, dry contact gives warning.

20. BOOST CHARGE:

Indicates that the Rectifier is in the fast charging mode.

21. FLOAT CHARGE:

Indicates that the Rectifier is in the normal charging mode.

22. GENERAL ERROR:

If this option is chosen, whenever one of the errors above is ocured, dry contact gives warning .

PWR33 INDUSTRIAL BATTERY CHARGER



48VDC /30A BATTERY CHARGER TECHNICAL TABLE

Rectifier Input:

Voltage	400	VAC	-%15	+%15
Current	4	A		
Frequency	50	Hz		
Input Fuse	8	A	Special value	No
Configuration	<input type="checkbox"/> Single Charger	<input type="checkbox"/> Redundant Charger	<input checked="" type="checkbox"/> Not Specified	
Input Isolation transformer	Yes			

Load Output:

Voltage	48	Vdc	Max. Load Voltage	52,80	by dropper
Current	30	Amp			
Dropper	Yes				
Ripple	< 5 % Without Battery		< 1 % With Battery		
Voltage Regulation:	± %1	rms	* battery mode		
Output Breakers	1 x 40A MCCB				
Additional Distribution Breaker	Not Specified				

Battery and Charging:

Battery Block Voltage	Should be clarified		Battery Brand	Should be clarified	
Battery Type	Should be clarified		Battery Strings	Lead Acid:24	Ni-Cd:38-40
Charging Current	1 to 30	Amper	Battery Breaker ampere	not specified	
Float Charge Voltage	52,80	V/Cell	Battery placement	EXT Metal Rack-Seismic	
Boost Charge Voltage	57,60	V/Cell	Battery capacity	Should be specified	ah
Battery test voltage	110,00	V/Cell	Battery sizes	L X H X W	See datasheet mm
Load Current Limit	30	A	Battery unit weight	See datasheet	kg
Charge Characteristic	DIN 41773		Battery Configuration	1 string per charger	

Cabinet:

Cabinet type	Stand Floor	Control and LCD	Graphic LCD	
Cooling	Fan cooling with thermostat controlled	Door stop	Right	
Cable Entry	Bottom Entry	LCD language	English	
Label	Grey - Pasted	Color	RAL 7032	
Cabinet Lighting	Yes	Locking	Lockable	
Cabinet dimensions	WxDxH: 450x520x1042 mm	Weight	120	kg

General Values:

Operating Temperature Range	0 /+40 °C	IEC Standard	IEC 60146-1-1	
Condensing resistance Heater	Yes	Noisy	<65 dB	
Storage temp. Range	-25 /+55 °C	Humidity	<90%	
Communication	RS232,dry relay, RS 485	Isolation Voltage	2kV	1 min
Altitude	Max. 1000m NN	Protection degree	IP21	

Protections:

DC Low-High protection	<input checked="" type="checkbox"/>	Overload	<input checked="" type="checkbox"/>	Over Temp	<input checked="" type="checkbox"/>
Phase Failure	<input checked="" type="checkbox"/>	DC± to GND Leakage	<input checked="" type="checkbox"/>	Reverse Battery	<input checked="" type="checkbox"/>
Input Mains Surge protection	<input checked="" type="checkbox"/>	DC Surge protection	<input checked="" type="checkbox"/>	Emergency Stop	<input checked="" type="checkbox"/>

Lamp Indicators:

16 Pcs	Mains ON	Mains OFF	Start	Stop	Mains High	Mains Low	DC High	DC Low	+DC Leakage	-DC Leakage	Current Limit	Fan Fault	Over Temp.	Battery Fault	Temp. Comp.	General Fault
	<input checked="" type="checkbox"/>	<input checked="" type="checkbox"/>	<input checked="" type="checkbox"/>	<input checked="" type="checkbox"/>	<input checked="" type="checkbox"/>	<input checked="" type="checkbox"/>	<input checked="" type="checkbox"/>	<input checked="" type="checkbox"/>	<input checked="" type="checkbox"/>	<input checked="" type="checkbox"/>	<input checked="" type="checkbox"/>	<input checked="" type="checkbox"/>	<input checked="" type="checkbox"/>	<input checked="" type="checkbox"/>	<input checked="" type="checkbox"/>	<input checked="" type="checkbox"/>

Notes & Options :

- » Dry Relay contacts included
- » Dropper diode function is optional
- » RS 485 RTU Communication included
- » Blocker diodes included
- » Input AC Breakers included
- » Output DC Breakers included
- » Battery DC Breaker included