

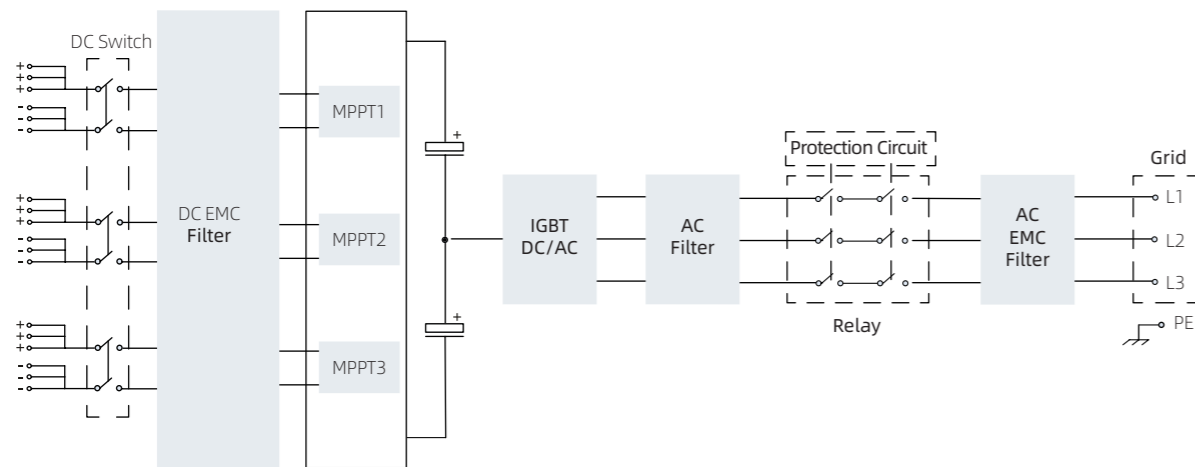
# Commercial High Power Inverter



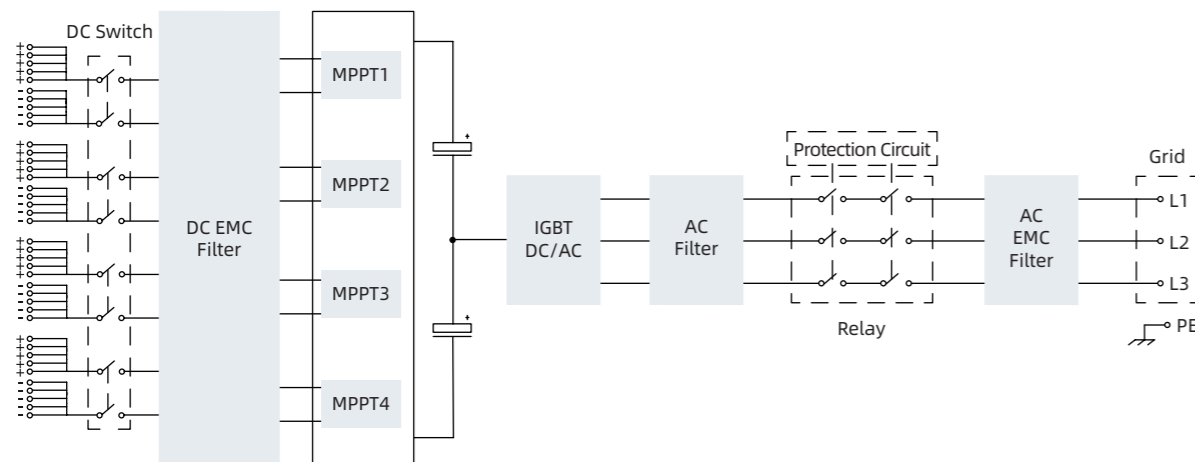
- High Efficiency**  
 Max. DC voltage 1100V.  
 Max. efficiency 99.03%.  
 High precision & intelligent string detection.
- Reliable**  
 36K~110K smart air cooling.  
 Built-in AC and DC SPD protection module and provide full range of lightning protection.  
 Night PID module.
- Friendly**  
 Active and reactive power regulation. Support mobile phone APP and check the status information of status.

## Topological Graph

36~40K



50~70K



## Technical Parameters

| Model                     | hopeSun 36KTL        | hopeSun 40KTL                    | hopeSun 50KTL                                   | hopeSun 60KTL                    | hopeSun 70KTL | hopeSun 75KTL                     | hopeSun 100KTL  | hopeSun 110KTL  |   |
|---------------------------|----------------------|----------------------------------|---|----------------------------------|---------------|-----------------------------------|-----------------|---|---|
| DC Input                  | Max. DC Voltage      |                                  |   |                                  |               |                                   |                 |   | 1100V   |
|                           | Starting Voltage     |                                  |   |                                  |               |                                   |                 |   | 250V  |
|                           | MPPT Voltage Range   |                                  |   |                                  |               |                                   |                 |   | 250V ~ 1000V                                  |
|                           | MPPT Range Full Load |                                  |   |                                  |               |                                   |                 |   | 540V ~ 880V                                   |
|                           | Max Current / MPPT   |                                  | 26A / 39A                                       |                                  | 39A           |                                   | 44A/44A/55A/55A |   |   |
|                           | Number of DC Inputs  |                                  | 8   |                                  | 9             |                                   | 12              |   | 18 20   |
|                           | MPPT Number          |                                  | 3   |                                  | 4             |                                   |                 |   |   |
| AC Output                 | Rated Output Power   |                                  |   |                                  |               |                                   |                 |   | 36kW 40kW 50kW 60kW 70kW 75kW 100kW 110kW     |
|                           | Max. Active Power    |                                  |   |                                  |               |                                   |                 |   | 39.6kW 44kW 55kW 66kW 77kW 82.5kW 110kW 121kW |
|                           | Rated Output Voltage |                                  |   |                                  |               |                                   |                 |   | 400V (Three Phase)                            |
|                           | AC Voltage Range     |                                  |   |                                  |               |                                   |                 |   | 400V±20%                                      |
|                           | Rated Output Current |                                  | 52.0A 57.7A 72.2A 86.5A 101A 108.2A 145A 159.5A |                                  |               |                                   |                 |   |   |
|                           | Max. Output Current  |                                  | 57.2A 63.5A 79.4A 95.3A 111A 119A 158.8A 174.6A |                                  |               |                                   |                 |   |   |
|                           | Rated Grid Frequency |                                  |   |                                  |               |                                   |                 |   | 50Hz / 60Hz                                   |
|                           | Power Factor         |                                  |   |                                  |               |                                   |                 |   | 0.8 (Leading) ~ 0.8 (Lagging)                 |
|                           | THD                  |                                  |   |                                  |               |                                   |                 |   | <3%   |
|                           | System Parameters    | Max. Efficiency                  |   |                                  |               |                                   |                 |   |   |
| European Efficiency       |                      |                                  |   |                                  |               |                                   |                 | 98.45% 98.51% 98.51% 98.52% 98.52%                    |   |
| AC/DC SPD                 |                      |                                  |   |                                  |               |                                   |                 | Support   |   |
| PV String Fault Detection |                      |                                  |   |                                  |               |                                   |                 | Support   |   |
| RCD                       |                      |                                  |   |                                  |               |                                   |                 | Support   |   |
| AC Overcurrent Protection |                      |                                  |   |                                  |               |                                   |                 | Support   |   |
| Cooling System            |                      |                                  |   |                                  |               |                                   |                 | Smart Air Cooling                                     |   |
| Operating Temperature     |                      |                                  |   |                                  |               |                                   |                 | -40°C ~ +60°C   |   |
| Protection Level          |                      |                                  |   |                                  |               |                                   |                 | IP65  |   |
| Standby Power Consumption |                      |                                  |   |                                  |               | <1W                               |                 | <5W   |   |
| Topology Structure        |                      |                                  |   |                                  |               |                                   |                 | Transformerless                                       |   |
| Operating Altitude        |                      |                                  |   |                                  |               |                                   |                 | 5000m (Derating above 4000m)                          |   |
| Display                   |                      |                                  |   |                                  |               |                                   |                 | LED + APP   |   |
| Communication             |                      |                                  |   |                                  |               |                                   |                 | RS485 / WiFi / GPRS                                   |   |
| DC Terminator             |                      |                                  |   |                                  |               |                                   |                 | MC4   |   |
| AC Terminator             |                      | OT / DT (MAX 50mm <sup>2</sup> ) |   | OT / DT (MAX 95mm <sup>2</sup> ) |               | OT / DT (MAX 300mm <sup>2</sup> ) |                 |   |   |
| Certification             |                      |                                  |   |                                  |               |                                   |                 | IEC62109 / IEC61000 / IEC62116 / IEC61727 / CQC / CGC |   |
| Dimensions (W*H*D)        |                      |                                  |   |                                  |               |                                   |                 | 705*650*283mm 800*672*315mm                           |   |
| Mechanical Parameters     |                      | Weight                           |   | <65kg                            |               | <75kg                             |                 | <85kg   |   |