

# POWER GROUP COMPANIES

INTRODUCTION & PRODUCTS

# INDEX

## INTRODUCTION

- PAGE 3-5** POWER GROUP COMPANIES
- PAGE 6** TEAM MEMBERS

## OUR PRODUCTS

- PAGE 7** GENERAL LOOK
- PAGE 8-10** INVERTERS
- PAGE 11-13** AC&DC EV CHARGERS
- PAGE 14-17** UPS SYSTEMS
- PAGE 18-19** RECTIFIERS-BATTERY CHARGERS
- PAGE 20** VOLTAGE STABILIZERS
- PAGE 21** GENERATORS

## POWER SOLAR ENERGY

- PAGE 22** POWER SOLAR INTRODUCTION

## OUR PROJECTS

- PAGE 23** SOME OF OUR PROJECTS
- PAGE 24** REFERENCES

## CONTACT US

- PAGE 25** CONTACT INFORMATION

# POWER GROUP COMPANIES



## POWER ELEKTRONIK

Power Elektronik Industry and Trade Inc. was founded in 1999 and became a powerful brand in it's field over years.



## POWER SOLAR

Power Solar is a subcompany of Power Elektronik and it was founded in 2007 to provide solutions for solar energy systems.



## POWER ENGINEERING

Power Engineering is a subcompany of Power Elektronik and was founded in 2015 to provide engineering solutions for both Power Elektronik and Power Solar.



As **Power Elektronik**, we are designing products in our R&D department. We are selling our products and making solutions to more than 50 countries. Our primary sectors are power plants, hospitals, factories, petroleum pipelines, gas pipelines, airports, railways etc.

**Power Solar** is committed to the highest level of quality. That's why we select the best components and industry-leading performance products to ensure that your system will work optimally. Our professional installation crews take role in delivering well-made solar arrays. From the panels to the bolts on the roof, we consider every step of installation process carefully so you can enjoy your system.

**Power Engineering** is a leading and innovative company in it's field. As Power Engineering; we are designing projects, contact work, consultancy services, maintenance and operation, Solar Power Plant projects and installation. Sustainability and efficiency are the key terms in our renewable energy projects.



# WE ARE PRODUCING...

- 01 UPS SYSTEMS
- 02 RECTIFIERS-BATTERY CHARGERS
- 03 GENERATORS
- 04 VOLTAGE STABILIZERS
- 05 AC&DC CAR CHARGERS



# THE "POWER" OF US

- 12 Engineer
- 25 Manufacturing Technician
- 10 Service Technician
- 19 Sales and Marketing Specialist
- 2 Quality Expert
- 2 Financial Expert

# OUR PRODUCTS

## UPS SYSTEMS



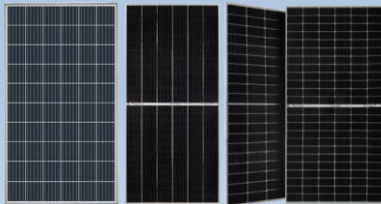
## AC&DC CAR CHARGERS



## RECTIFIERS



## SOLAR PANELS



## INVERTERS



## BATTERY STORAGE SYSTEMS



## PWR 11 ON-GRID INVERTER (5-33kW)

- High sensitivity & smart string detection
- 99% Maximum efficiency
- 2 MPPTs
- IP65 level water and dust resistancy

For datasheet click [HERE](#)





## POWER 33 ON-GRID INVERTER (36-80 kW)

- High sensitivity & smart string detection
- 99% Maximum efficiency
- 4 MPPTs
- IP65 level water and dust resistency
- PID integrated failure detection
- Start up with AC
- DC high voltage protection

For datasheet [CLICK HERE](#)



## POWER OFF-GRID INVERTER (1-5kVA)

- Pure sine wave or modified sine wave options
- Supports 12-48V Battery and System voltage
- 0°-55° working temperature
- High efficiency up to 93%

For datasheet [CLICK HERE](#)



### PWR DC CAR CHARGER (40-180 KW)

- Modular design, each module has undergone repeated iterations and long-term verification to ensure the stability and reliability of the system.
- Its metal casing and semi-gloss coating ensure the long-term outdoor use.
- It has CCS, CHAdeMO and AC multiple charging outlets option which make it suitable for various EV charging simultaneously.
- The 7-inch display and unique UI offer user-friendly and convenient charging operation
- Linux embedded operating system, with 32-bit embedded processor as the core unit, supports Ethernet, 3/4G communication.

For datasheet [CLICK HERE](#)



# PWR BUSINESS DUO AC CAR CHARGER (2x22 KW)

- One charger with 2 output sockets
- Commercial use with intelligent app control
- Ethernet/4G/Wi-Fi communication supported
- App operation or RFID authentication
- Customizable with different color options

For datasheet [CLICK HERE](#)

# PWR-BUSINESS/PWR-HOME AC CAR CHARGER (22 KW)



- Easy software interface for, user authentication, QR code starting, monitoring the Power consumption.
- Type 2 connector.
- Metal case to protect from outdoor impacts
- Ethernet, Wi-Fi and GSM communication supported

For datasheet [CLICK HERE](#)



## PWR 11 OL (1-10 kVA)

- Microprocessor controlled, fully automatic, full sine Online LCD uninterruptible power supply
- Cold start feature (you can start with DC)
- Intelligent battery charge management (ICM)
- Digital control technology
- UPS automatic test feature in each opening

For datasheet [CLICK HERE](#)



## PWR 33 GOLD (10-400 kVA)

- Microprocessor controlled, fully automatic, full sine Online LCD uninterruptible power supply
- Cold start feature (you can start with DC)
- Intelligent battery charge management (ICM)
- Digital control technology
- UPS automatic test feature in each opening

For datasheet [CLICK HERE](#)



## PWR M (MODULAR 30-3600 kVA)

- It can be designed up to 900 kVA using 30-50-75 kVA modules. By connecting modules parallel, it can be reached 3600 kVA total power
- Overall efficiency 95%(AC-AC), inverter efficiency 98%(DC-AC)
- N+X module-level redundancy UPS System
- Each module automatically and equally shares the input and output current, all UPS modules share the batteries

For datasheet [CLICK HERE](#)



## HITZINGER DYNAMIC UPS AND CONVERTERS



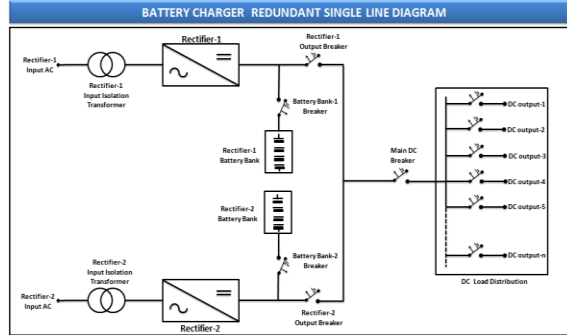
- Rating: up to 2500 kVA
- Voltage: up to 11 kV
- Dual output units
- MTBF value: > 1M hours
- Availability : > 99,9999 %
- Low MTTR value
- Low maintenance costs
- High choke quality
- High overload capacity
- Efficiency up to 96 %
- +/- 10 % Input Voltage Regulation
- Electromagnetic clutch
- 0,99 Input Power Factor
- Optimum mains failure supervision
- In house developed control system
- Brushless design, no slip rings
- Reduced plant room footprint

## PWR RECTIFIER – BATTERY CHARGER (10-1000A)



- 3 Phase AC input/DC output
- DSP microprocessor controlled thyristor or IGBT rectifiers with internal/external battery options
- -40 to +60 degrees operating temperature range
- ISO9001 certified manufacturing quality, ISO14001 certificate , CE conformity

For datasheet [CLICK HERE](#)



## 3-PHASE INDUSTRIAL BATTERY CHARGERS

- The input voltage, input current, output voltage, output current can be read from the front panel.
- Output short circuit and reverse battery protection is available.
- DSP controlled.
- Optionally, the network may be interrupted by informing the user by displaying the battery level continues to work on the front panel.
- All parts of the cabin is made of 2mm mild steel sheet and it is powder coated.
- ISO9001 certified manufacturing quality, ISO14001 certificate , CE conformity

## SERVO-STATIC TYPE VOLTAGE STABILIZERS POWER SERVO OR STATIC VOLTAGE STABILIZERS (1-6000 KVA)



- Advanced Technology
- High Performance via RISC Microprocessor Control
- Wide Power Options Wide Input Voltage Rang
- True RMS Measurement, Feedback
- Control Best in Class with 70-400 V/s Regulation Speed
- High Efficiency Up To 98%
- Independent Control Panel for Each Phase
- Selectable Output Max/Min Voltage

## POWER GENERATOR (7-400 kVA)



- Various engine and alternator options for your needs
- Portable or heavy duty options
- Water cooled, Diesel engine
- Electric starter and charge alternator

# POWER SOLAR ENERGY

<b>Counseling</b>	<b>Consultancy</b>	<b>Lending and Finance</b>	<b>Project &amp; Engineering</b>
<ul style="list-style-type: none"><li>-Investment Analysis</li><li>-Field development Feasibility</li><li>-Technical Evaluation</li><li>-License Application</li></ul>	<ul style="list-style-type: none"><li>-Process Management</li><li>-Engineering Audit</li><li>-Purchase Audit</li><li>-Integration Audit</li></ul>	<ul style="list-style-type: none"><li>-Budget Analysis</li><li>-Investment-Finance - Analysis</li><li>-Loan Financing</li><li>Insurance</li></ul>	<ul style="list-style-type: none"><li>-System Designing</li><li>-Engineering</li><li>-Project Simulation and Shading Analysis</li></ul>
<b>Purchase and Procurement</b>	<b>Application and Integration</b>	<b>Management</b>	<b>Maintenance</b>
<ul style="list-style-type: none"><li>-Material Selection</li><li>-Procurement tenders</li><li>-Purchase</li><li>-Quality Control</li><li>-Logistics</li></ul>	<ul style="list-style-type: none"><li>-Project Management</li><li>-Mounting</li><li>-System Integration</li><li>-Test and commissioning</li></ul>	<ul style="list-style-type: none"><li>-Technical Management</li><li>-Commercial Management</li><li>-Monitoring Control</li></ul>	<ul style="list-style-type: none"><li>-Maintenance and Repair</li><li>-Technical Intervention</li><li>Security</li></ul>

SOME OF  
OUR  
PROJECTS



# REFERENCES



## CONTACT US

**Address:** Armaganevler Mahallesi ,  
Diriliş Cad. İpekci Sok No:12  
Ümraniye / İstanbul / TÜRKİYE

**Phone:** +90 216 481 66 99

**Fax:** +90 216 481 66 09

**E-mail:** info@powerelektronik.com.tr

[www.powerelektronik.com.tr](http://www.powerelektronik.com.tr)

[www.powermuhendislik.com.tr](http://www.powermuhendislik.com.tr)

[www.powersolar.com.tr](http://www.powersolar.com.tr)

